

EUS SERIES 50HZ

Light Weight Submersible Drainage Pump

Feature

- / High abrasive resistance resin Vortex impeller
- / Double mechanical seal / Designed Agitator
- / Auto reset thermal protector / Non air locking
- / Auto version for small pit usage

Application

- / Residential, commercial, industrial dewatering and site drainage
- / Decorative waterfalls and fountains
- / Raw water supply from lakes or rivers
- / Sediment removal from small sumps or basins

Specifications

Liquid Temperature	0~40°C (32~104°F)	
Submersible depth	10M	
Motor Part	Frequency	50Hz
	Pole	2 Pole
	Type	Dry Type
	Insulation	0.5~1HP:Class B ; 2HP:Class F
	Protection	IP 68
Pump Part	Protector	Auto-cut
	Bearing	Ball Type
	Mechanical seal	Dual. Mechanical Seal
	Impeller	Semi-Open



Steel coated with thermoplastic polyester elastomer

DU PONT Hytrel®



Agitator

KLIXON®



1PH Protector (Thermal)



1PH Protector (optional) (overheat & overload)

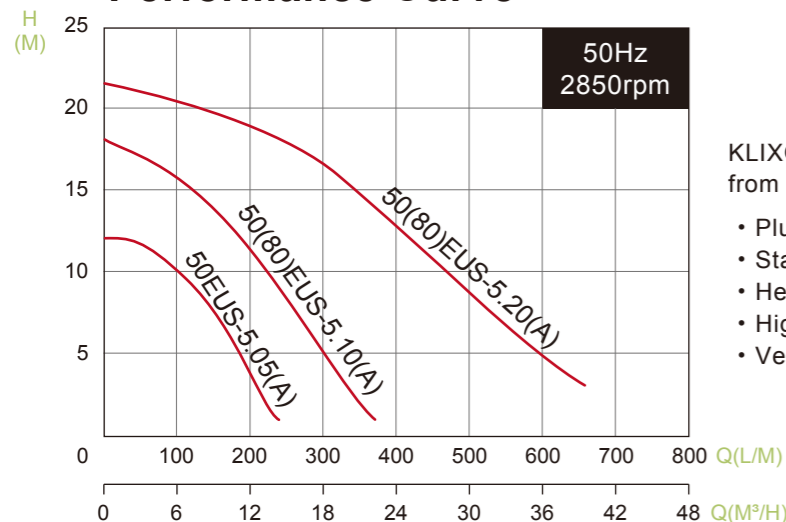


3PH Protector (overheat, overload)

KLIXON protector provides protection against overheating from all running and stalled rotor conditions including:

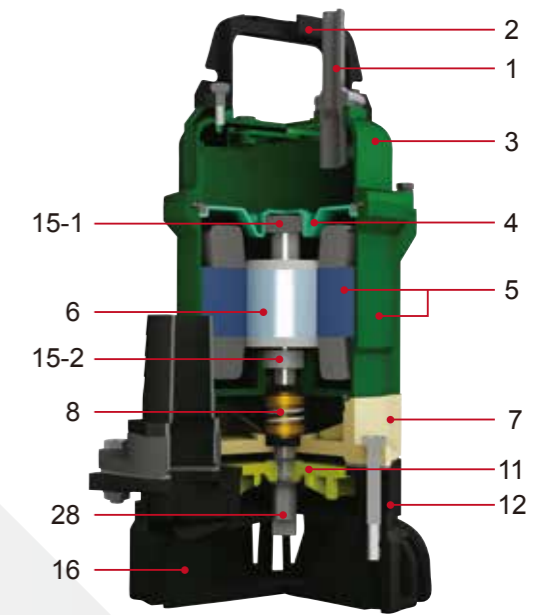
- Plugging duty
- Stalling or failure to start
- Heavy overloads
- High ambient
- Ventilation failures

Performance Curve



Parts and Material List

No	Part	Material
1	Cable	H07RN-F /SJTOW/STOW
2	Handle	Nylon 6
3	Motor Cover	ADC 12
4	Bracket	Steel
5	Motor Housing + Stator	ADC12+Steel
6	Shaft with Rotor	SUS 410
7	Oil Chamber	0.5~1HP : Cast Iron 2HP : Aluminum
8	Mech. Seal	Upper : CA/CE Lower : SIC/SIC
11	Impeller	Hytrel
12	Pump Casing	Cast Iron
15-1	Upper Bearing	NTN
15-2	Lower Bearing	NTN
16	Strainer	PVC
28	Agitator	SMF5030



Data Chart

Type	Output		Discharge	F.L.A.		Rated		Maximum		Free Passage	Weight(W/O Cable)	
	HP	kW		Inch	1ø 230V	3ø 400V	Head m	Cap. LPM	Head m		Cap. LPM	mm
50EUS-5.05	0.5	0.37	2"	3A	1.1A	9.6	110	12	240	6	11.3	11.3
50EUS-5.05A	0.5	0.37	2"	3A	1.1A	9.6	110	12	240	6	11.6	11.6
50(80)EUS-5.10	1	0.75	2"(3")	5.8A	1.9A	12	190	18	375	6	13.9	13.9
50(80)EUS-5.10A	1	0.75	2"(3")	5.8A	1.9A	12	190	18	375	6	14.2	14.2
50(80)EUS-5.20	2	1.5	2"(3")	13A	3.7A	16	315	21.5	658	6	18.1	18.1
50(80)EUS-5.20A	2	1.5	2"(3")	13A	3.7A	16	315	21.5	658	6	18.4	18.4

» A identifies black float switch.

» All single-phase and three-phase pumps can be equipped with float switch upon request.

» Key float switch is available to choose.



Optional Suction Plate transfer to residue pump for 0.5HP

»The additional suction plate can be drain water down to approx. 3mm.

