

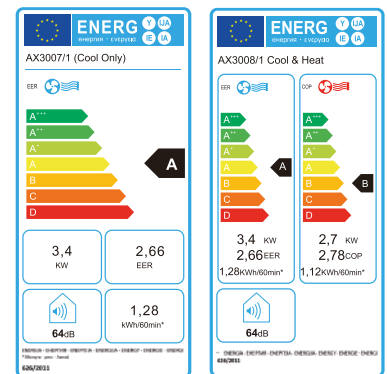
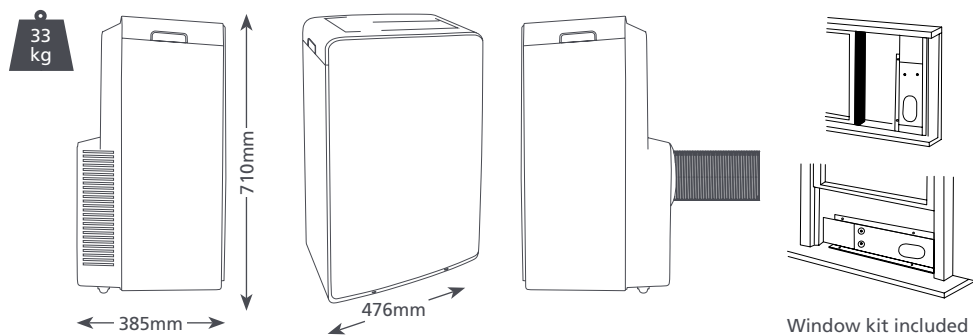
Portable Air Conditioning Unit

The best of both worlds! An environmentally friendly, portable ac unit using the natural refrigerant R290, while also benefitting from an extensive range of features and functionality!



KEY FEATURES

- Uses R290 refrigerant – making it incredibly eco friendly
- Cool, Heat*, Auto, Fan and Dehumidify
- Auto Operation function
- Built in self cleaning function
- °C to °F changeable temperature display
- Airflow adjustment and Auto restart
- Includes infra red Remote control
- Includes Discharge hose & window kit
- Self evaporating condensate system



SPECIFICATIONS	
Cooling capacity	11,601 Btu/h – 3.4kW
Heating capacity	9,212 Btu/h – 2.7kW*
Power supply	230v 50Hz 8A
Temperature range	16-35°C
Sound level	64dB(A)
Power cable	2m with plug
Flexi outlet tube	135mm i/d, 147mm o/d, 1.5m length

* Heating model only

OPTIONS	
Description	Part No.
Cool only (EU - MSE)	AX3007/1
Cool / Heat (EU - MSE)	AX3008/1

IN THE BOX
Portable AC unit • 1 x Exhaust hose • Flat mouth hose adaptor • 1 x Drain hose • 1 x Remote control and batteries • 1 x window kit



Environmentally friendly R290 is a natural refrigerant with low global warming potential. The new Aspen Xtra Portable AC GWP is just 3 units!

For further details please refer to our website aspenspumps.com

Information correct at time of going to press.