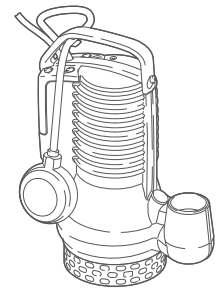
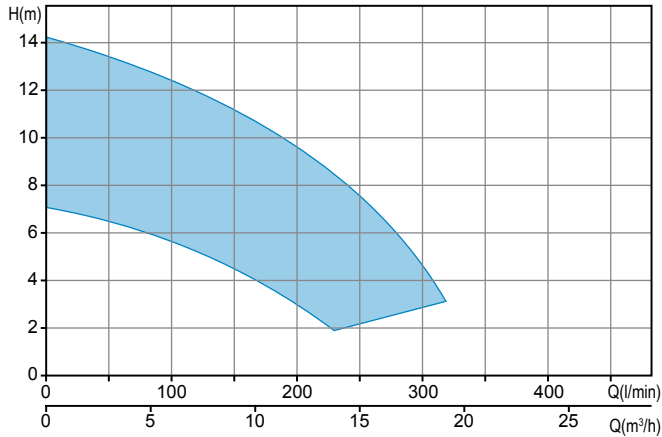


DR blue

Pumps with multi-channel open impeller

Operating ranges



Range characteristics

Motor power	0.3 ÷ 0.74 kW
Poles	2
Insulation class	F
Degree of protection	IP68
Discharge	GAS 1 1/4" vertical
Free passage	max 7 mm
Max flow rate	5.3 l/s (318 l/min)
Max head	14.2 m

Motor

Dry motor with thermal protections.

Cable

H07RN-F 5 m cable length with schuko plug. Optional 10 m cable length with schuko plug.

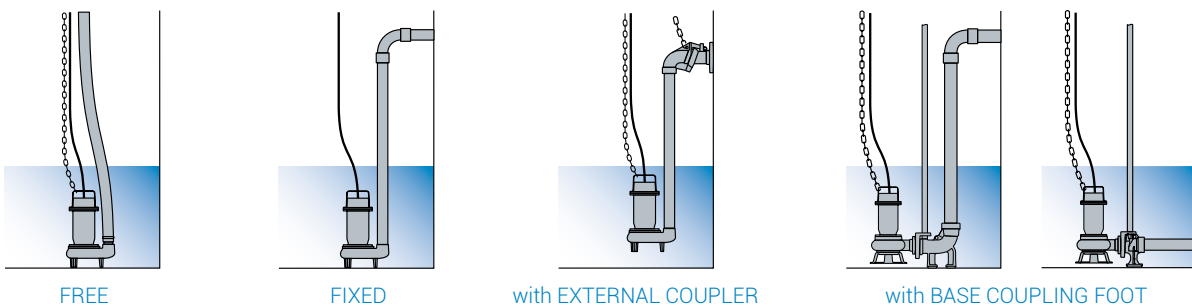
Mechanical seals

One silicon carbide mechanical seal (SiC) and one lip seal (AL).

Applications

The ideal solution for use with clear or slightly soiled wastewaters containing small solids, strained water, rainwater, seepage and water pumped from underground. Suitable and reliable for domestic use, including heavy-duty applications.

Installations



Versions

Electrical variants	TC, TCG (single-phase models)
Cooling system	N
Mechanical seals	SICAL

Operating specifications

Max operating temperature	40 °C
PH of treated fluid	6 ÷ 14
Viscosity of treated fluid	1 mm²/s
Maximum immersion depth	20 m
Density of treated fluid	1 Kg/dm³
Acoustic pressure max	<70dB
Max starts per hour	30

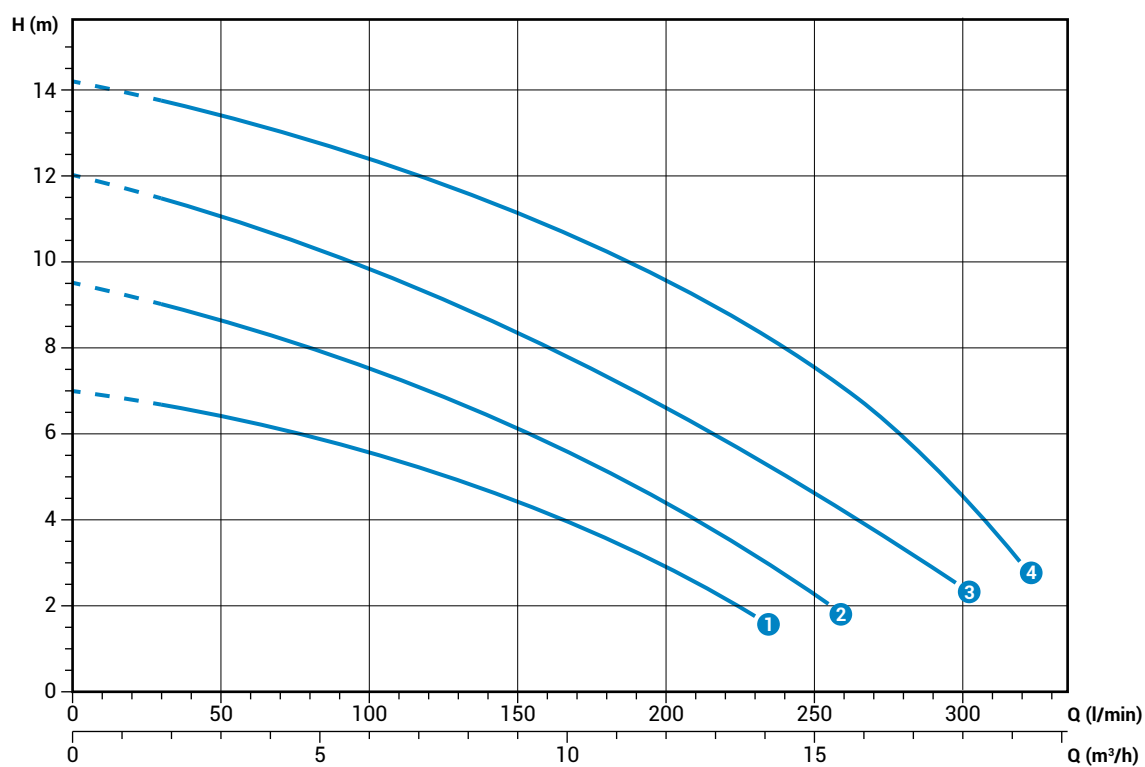
Construction materials

Case	Cast iron EN-GJL 250
Hydraulic parts	Cast iron EN-GJL 250
Impeller	Technopolymer
Nuts and bolts	Stainless steel - Class A2-70
Standard gasket	Rubber - NBR
Shaft	Stainless steel - AISI 420
Paint type	Ecological bicomponent epoxy (~ 80 µm)

DR blue 2/G40V**Performances**

	l/s	0	1	2	3	4	5
	l/min	0	60	120	180	240	300
	m ³ /h	0	3.6	7.2	10.8	14.4	18.0
① DR blue 40/2/G32V A1BM5		7.0	6.3	5.1	3.6		
② DR blue 50/2/G32V A1BM5		9.5	8.4	7.0	5.1	2.7	
③ DR blue 75/2/G32V A1BM5		12.0	10.8	9.3	7.3	5.0	
④ DR blue 100/2/G32V A1BM5		14.2	13.3	11.9	10.3	8.0	4.5

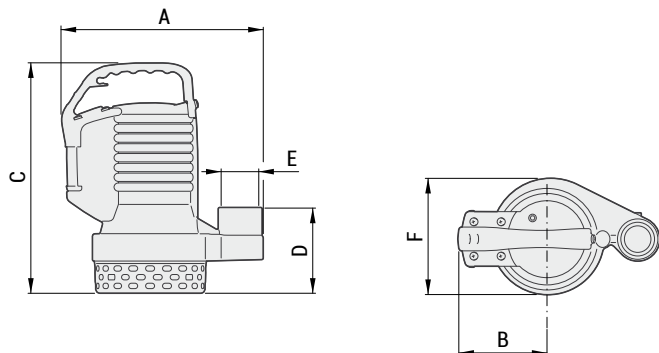
Characteristic curves according to UNI EN ISO 9906

**Technical data**

	V	Phases	P1 (kW)	P2 (kW)	A	Rpm	Start	Cable	Ø	Free passage
① DR blue 40/2/G32V A1BM5	230	1	-	0.3	2.3	2900	Dir	3G1	G 1¼"	7 mm
② DR blue 50/2/G32V A1BM5	230	1	-	0.37	2.8	2900	Dir	3G1	G 1¼"	7 mm
③ DR blue 75/2/G32V A1BM5	230	1	-	0.55	4.1	2900	Dir	3G1	G 1¼"	7 mm
④ DR blue 100/2/G32V A1BM5	23	1	-	0.74	5.6	2900	Dir	3G1	G 1¼"	7 mm

DR blue

Overall dimensions and weights



	A	B	C	D	E	F	kg
DR blue 40/2/G40V A1BM5	255	115	295	110	G 1¼"	150	11.5
DR blue 50/2/G40V A1BM5	255	115	295	110	G 1¼"	150	12
DR blue 75/2/G40V A1BM5	255	115	325	110	G 1¼"	150	13.5
DR blue 100/2/G40V A1BM5	255	115	325	110	G 1¼"	150	15.5

Dimensions in mm

Packaging dimension



	X	Y	Z
DR blue 40/2/G40V A1BM5	240	200	350
DR blue 50/2/G40V A1BM5	240	200	350
DR blue 75/2/G40V A1BM5	240	200	350
DR blue 100/2/G40V A1BM5	240	200	350

Dimensions in mm