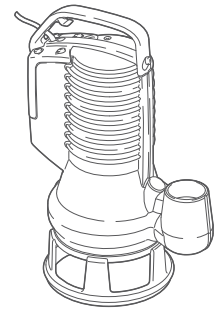
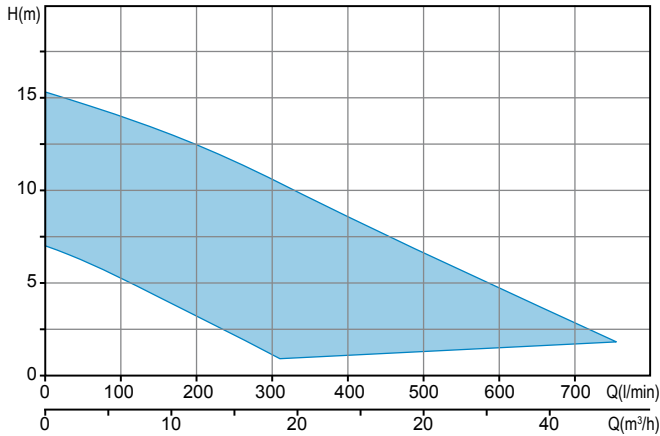


DG bluePRO

Pumps with vortex impeller

Operating ranges



Range characteristics

Motor power	0.37 ÷ 1.5 kW
Poles	2
Insulation class	F
Degree of protection	IP68
Discharge	GAS 1½" - 2" vertical
Free passage	max 50 mm
Max flow rate	12.6 l/s (756 l/min)
Max head	15.3 m

Motor

Dry motor with thermal protections.

Cable

H07RN-F - 5 m cable length. Optional 10 m cable length.

Mechanical seals

Two silicon carbide mechanical seals (2SiC), V-ring

Applications

Suitable for heavy-duty applications with soiled biological wastewaters, sewage, rainwater and seepage. This electric pump is intended for both domestic and professional use.

Versions

Electrical variants	TC, TCG (single-phase models) NAE, TRG (three-phase models)
Cooling system	N
Mechanical seals	2SiC

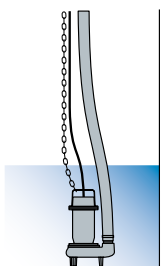
Operating specifications

Max operating temperature	40 °C
PH of treated fluid	6 ÷ 14
Viscosity of treated fluid	1 mm²/s
Maximum immersion depth	20 m
Density of treated fluid	1 Kg/dm³
Acoustic pressure max	<70dB
Max starts per hour	30

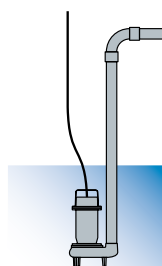
Construction materials

Case	Cast iron EN-GJL 250
Hydraulic parts	Cast iron EN-GJL 250
Impeller	Cast iron EN-GJL 250
Nuts and bolts	Stainless steel - Class A2-70
Standard gasket	Rubber - NBR
Shaft	Stainless steel - AISI 420
Paint type	Ecological bicomponent epoxy (~ 80 µm)

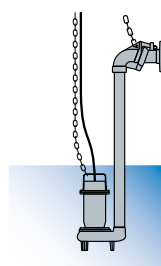
Installations



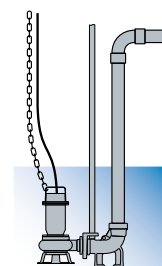
FREE



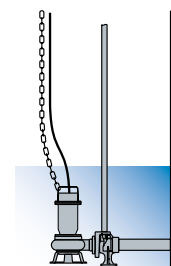
FIXED



with EXTERNAL COUPLER



with BASE COUPLING FOOT

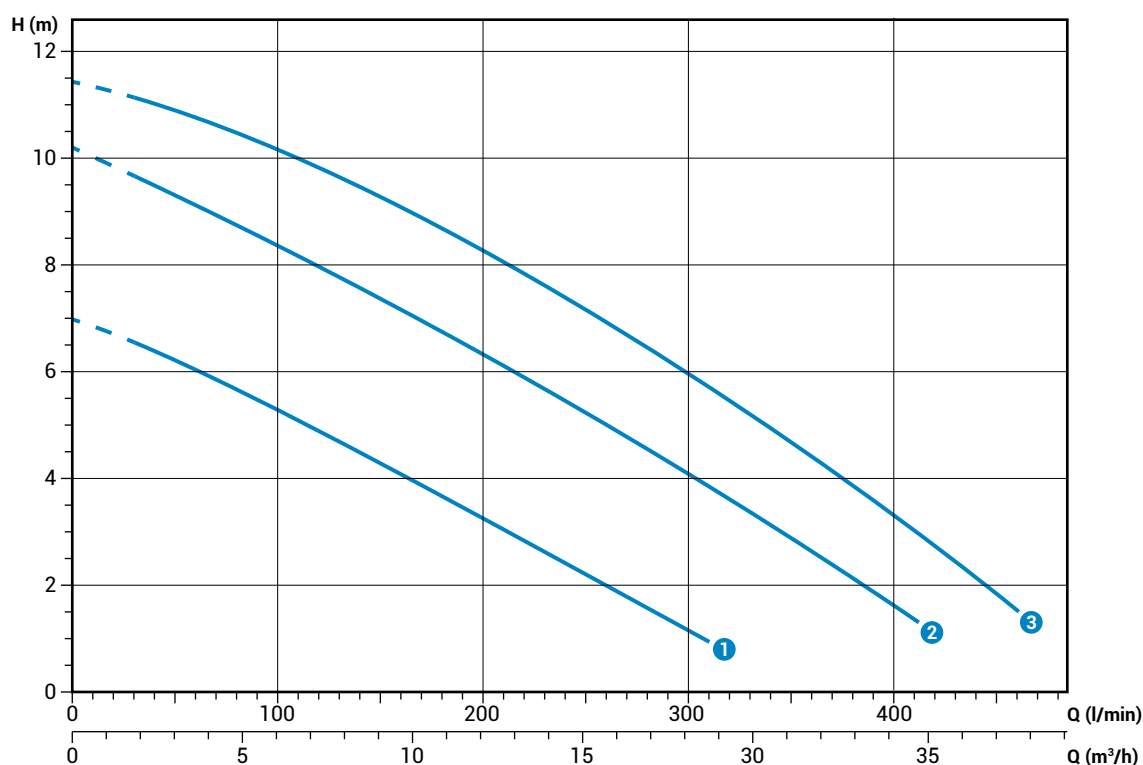


DG bluePRO 2/G40V

Performances

	0	1	2	3	4	5	6	7
l/s	0	1	2	3	4	5	6	7
l/min	0	60	120	180	240	300	360	420
m³/h	0	3.6	7.2	10.8	14.4	18.0	21.6	25.2
① DG bluePRO 50/2/G40V A1BM(T)5	7.0	6.0	4.9	3.6	2.4	1.1		
② DG bluePRO 75/2/G40V A1BM(T)5	10.2	9.1	8.0	6.8	5.5	4.1	2.6	
③ DG bluePRO 100/2/G40V A1BM(T)5	11.4	10.7	9.8	8.7	7.4	5.9	4.4	2.7

Characteristic curves according to UNI EN ISO 9906



Technical data

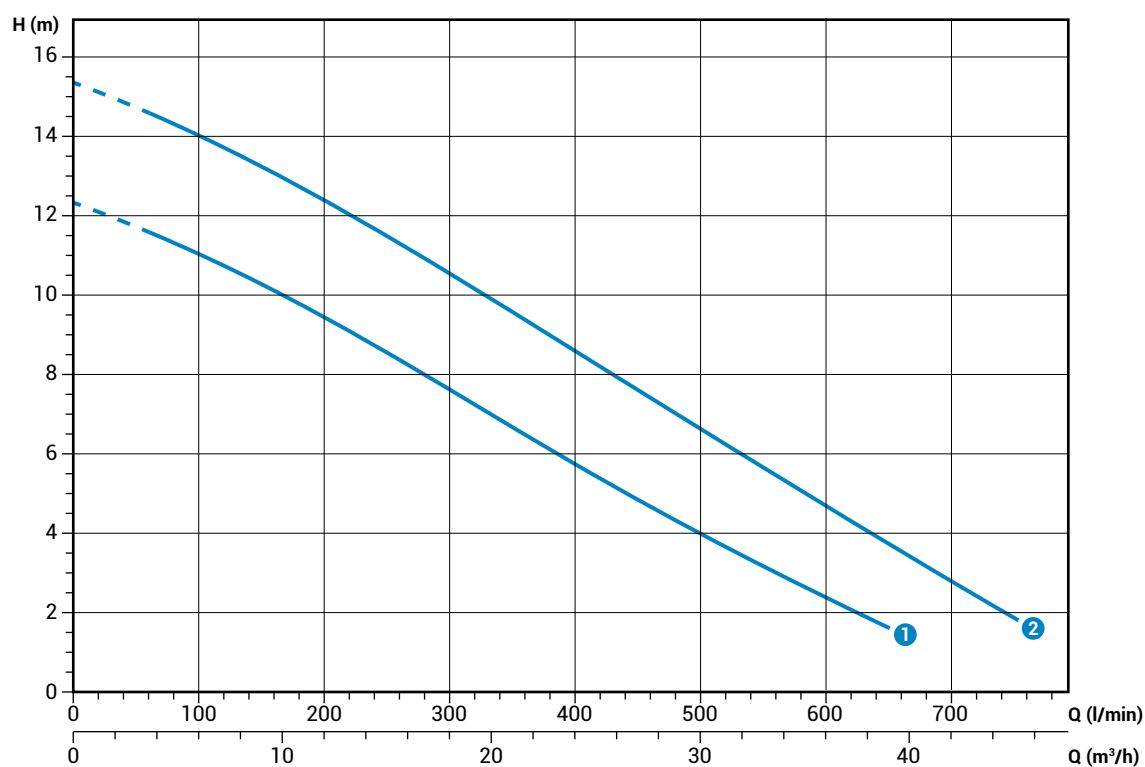
	V	Phases	P1 (kW)	P2 (kW)	A	Rpm	Start	Cable	Ø	Free passage
① DG bluePRO 50/2/G40V A1BM5	230	1	-	0.37	2.8	2900	Dir	3G1	G 1½"	40 mm
② DG bluePRO 75/2/G40V A1BM5	230	1	-	0.55	4.1	2900	Dir	3G1	G 1½"	40 mm
③ DG bluePRO 100/2/G40V A1BM5	230	1	-	0.74	5.6	2900	Dir	3G1	G 1½"	40 mm

	V	Phases	P1 (kW)	P2 (kW)	A	Rpm	Start	Cable	Ø	Free passage
① DG bluePRO 50/2/G40V A1BT5	400	3	-	0.37	1.15	2900	Dir	4G1	G 1½"	40 mm
② DG bluePRO 75/2/G40V A1BT5	400	3	-	0.55	1.6	2900	Dir	4G1	G 1½"	40 mm
③ DG bluePRO 100/2/G40V A1BT5	400	3	-	0.74	2.15	2900	Dir	4G1	G 1½"	40 mm

DG bluePRO 2/G50V

Performances

	l/s	0	1	2	3	4	5	6	7	8	9	10	11	12
	l/min	0	60	120	180	240	300	360	420	480	540	600	660	720
	m³/h	0	3.6	7.2	10.8	14.4	18.0	21.6	25.2	28.8	32.4	36.0	39.6	43.2
① DG bluePRO 150/2/G50V A1CM(T)5		12.3	11.5	10.7	9.7	8.8	7.6	6.5	5.3	4.4	3.3	2.4		
② DG bluePRO 200/2/G50V A1CM(T)5		15.3	14.6	13.7	12.7	11.7	10.6	9.4	8.2	7.1	5.9	4.7	3.5	2.5



Characteristic curves according to UNI EN ISO 9906

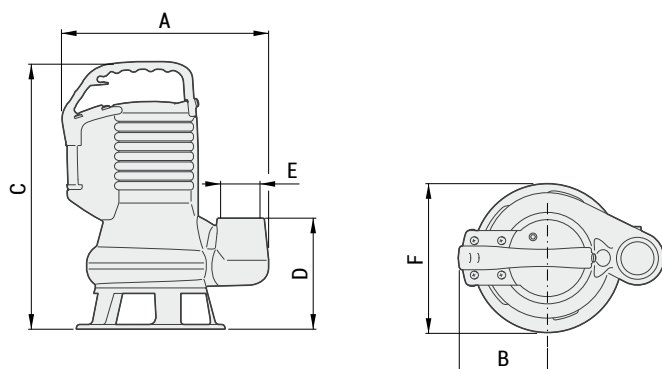
Technical data

	V	Phases	P1 (kw)	P2 (kw)	A	Rpm	Start	Cable	Ø	Free passage
① DG bluePRO 150/2/G50V A1CM5	230	1	-	1.1	7.5	2900	Dir	3G1	G 2"	50 mm
② DG bluePRO 200/2/G50V A1CM5	230	1	-	1.5	10	2900	Dir	3G1	G 2"	50 mm

	V	Phases	P1 (kw)	P2 (kw)	A	Rpm	Start	Cable	Ø	Free passage
① DG bluePRO 150/2/G50V A1CT5	400	3	-	1.1	3.2	2900	Dir	4G1	G 2"	50 mm
② DG bluePRO 200/2/G50V A1CT5	400	3	-	1.5	4.3	2900	Dir	4G1	G 2"	50 mm

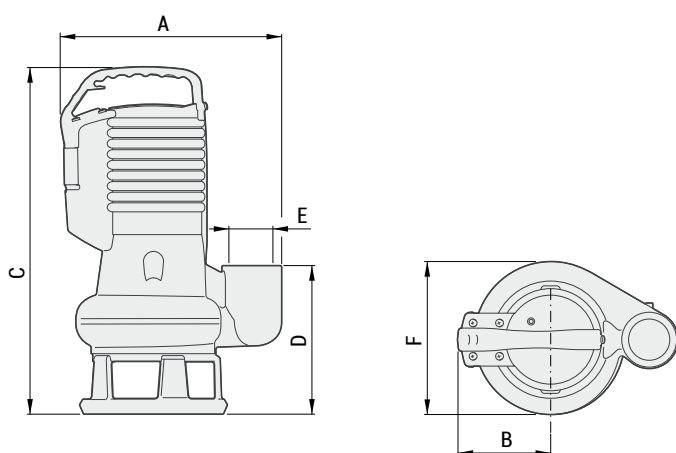
DG bluePRO

Overall dimensions and weights



	A	B	C	D	E	F	kg
DG bluePRO 50/2/G40V A1BM(T)5	265	115	335	140	G 1½"	190	13
DG bluePRO 75/2/G40V A1BM(T)5	265	115	365	140	G 1½"	190	15
DG bluePRO 100/2/G40V A1BM(T)5	265	115	365	140	G 1½"	190	15.5

Dimensions in mm



	A	B	C	D	E	F	kg
DG bluePRO 150/2/G50V A1CM(T)5	295	125	465	195	G 2"	200	23
DG bluePRO 200/2/G50V A1CM(T)5	295	125	465	195	G 2"	200	24

Dimensions in mm

Packaging dimension



	X	Y	Z
DG bluePRO 50/2/G40V A1BM(T)5	240	200	400
DG bluePRO 75/2/G40V A1BM(T)5	240	200	400
DG bluePRO 100/2/G40V A1BM(T)5	240	200	400
DG bluePRO 150/2/G50V A1CM(T)5	300	250	480
DG bluePRO 200/2/G50V A1CM(T)5	300	250	480

Dimensions in mm